

## ADVANCED WAY TOWARDS CLEANLINESS

### Refuse collection container MGB 2.5 according to DIN 30738 with steel dome lid and wheel implementation



#### Technical specification

- Body:**
- hot dip galvanized
  - front-, rear and side walls stably embossed
  - on top all-round strengthened frame
  - drainage plug at the bottom with bayonet joint
  - container frame consist of square profile steel, external/internal continuously welded seams
  - 4 wheel cases welded on the bottom and side walls

- Lifting pockets:**
- pocket length 500mm
  - pockets locked with 16 Bolts M10 8.8 at the side walls

- Lids:**
- at the front spring released steel dome lid hot dip galvanized
  - at the back spring released steel hinged lid hot dip galvanized
  - lid rocker hot dip galvaniz                      nm

- Galvanizing:**
- body, lid, lifting pockets a                      r hot dip galvanized

- Wheel implementation:**
- at the front 2 swivel wheels Ø 200mm, with brakes, Aluminum rim, ball bearing, vulcanized wheel centres
  - at the back 2 swivel wheels Ø 200mm, Aluminum rim, ball bearing, vulcanized wheel centres
  - at both sides 2 pulling handles at the lifting pockets and the side wall

- Options:**                      **YOUR WISH IS OUR CREATIVITY**
- Our containers can be maintained with skid loading plugs and coupling device.  
Can be combined with several other options.  
Ask our Sales Team and get the tailored solutions.

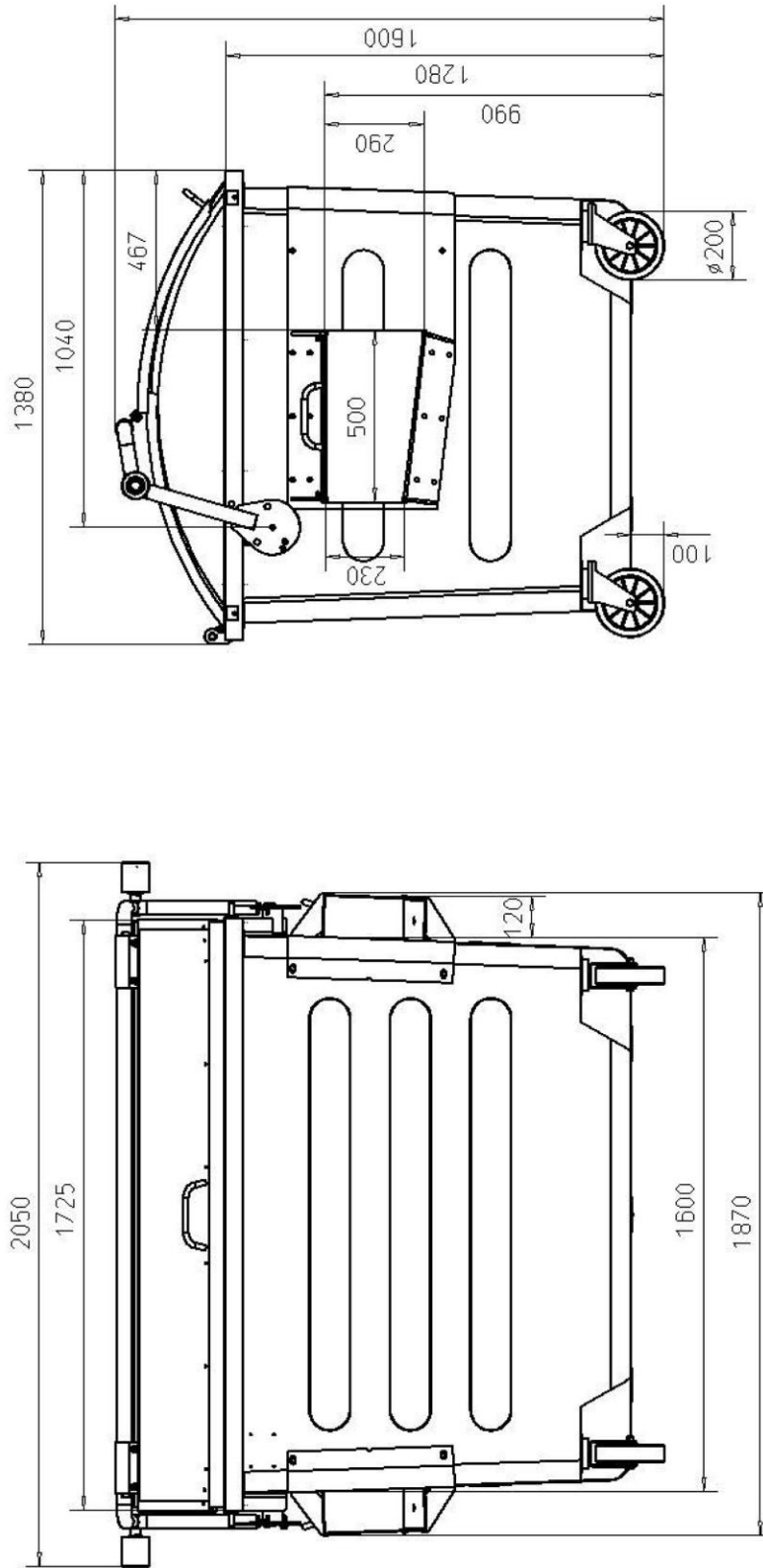
**Permissible**  
**Total weight:**                      1500 kg  
**Appropriate weight:** 253 kg

---

*!!! Wise Seekers Are Our Hope !!!*

ADVANCED WAY TOWARDS CLEANLINESS

Refuse collection container MGB 2.5 according to DIN 30738  
with steel dome lid and wheel implementation



technical modifications are permitted  
without prior notice  
© IVB Umwelttechnik GmbH Annaberg  
Stand 10/09

!!! Wise Seekers Are Our Hope !!!

## ADVANCED WAY TOWARDS CLEANLINESS

### Refuse collection container MGB 1.1 according to EN 840-3 & EN 840-6 with steel dome lid and wheel implementation



#### Technical specification

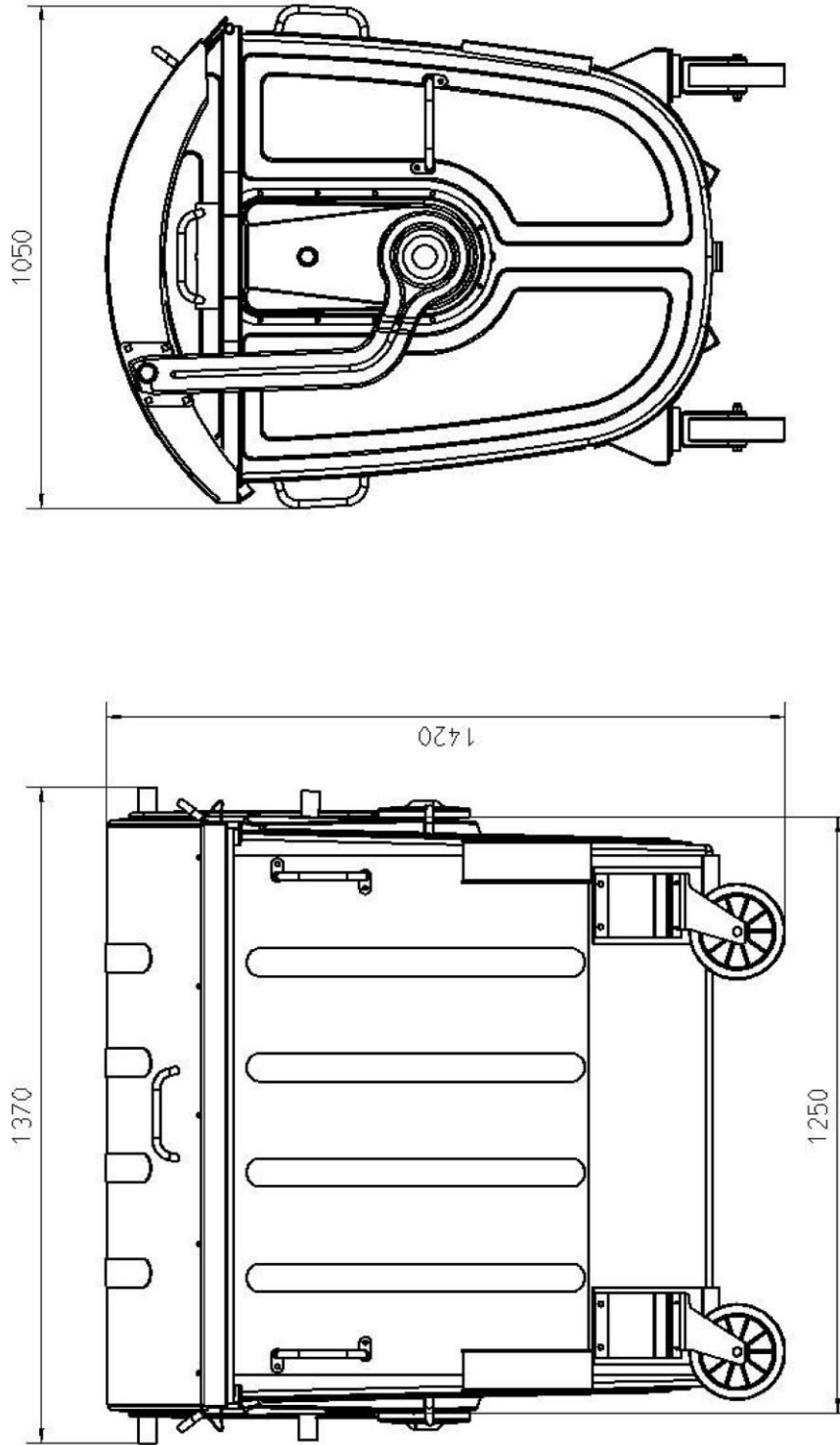
- Body:**
- hot dip galvanized
  - cover-hand-protection from profile-rubber
  - high quality plastic water outlet plug
  - continuously welded-seams low sheet metal-overlap
  - handles for easy movement
  - container frame made of steel pipe / flat steel
- Lids:**
- hot dip galvanized dome lid with opening device for trunnion lifting system
  - lid strongly embossed
  - lid opening and locking in 2 positions
  - lid hand protection rubber profile
- Lifting system:**
- trunnion lifter
  - optional with comb lifter
- Galvanizing:**
- body and lid hot dip galvanized
- Wheel Implementation:**
- 4 solid wheels pivoting on 360°
  - 2 wheels Ø 200mm with brakes
  - 2 wheels Ø 200mm with directional stoppers
- Options:** **YOUR WISH IS OUR CREATIVITY**  
Our containers can be maintained with comb lifting plugs and coupling device.  
Can be combined with several other options  
Ask our Sales Team and get the tailored solutions.
- Permissible**  
**Total weight:** 500 kg  
**Appropriate weight:** 125 kg

---

*!!! Wise Seekers Are Our Hope !!!*

ADVANCED WAY TOWARDS CLEANLINESS

Refuse collection container MGB 1.1 with steel dome lid and wheel implementation  
according to EN 840-3 & EN 840-6



technical modifications are permitted  
without prior notice  
© IVB Umwelttechnik GmbH Annaberg  
Stand 10/09

!!! Wise Seekers Are Our Hope !!!